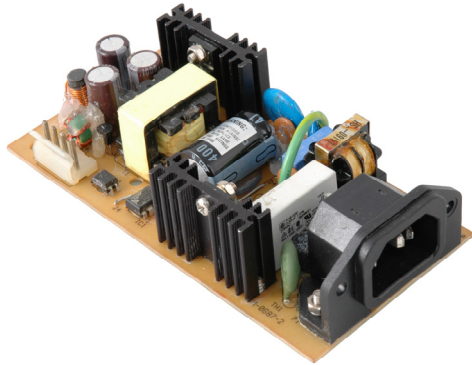


# HiTRON

## UNIVERSAL INPUT AC-DC PCB OPEN FRAME SINGLE OUTPUT 10-25 WATTS INTERNAL SWITCHING POWER SUPPLIES HVI20 SERIES



### FEATURES:

- ACCOMMODATE UNIVERSAL AC SOURCES
- MEET UNIVERSAL SAFETY STANDARDS
- EMI MEET CISPR PUB. 22 & FCC CLASS B
- CE MARKING COMPLIANCE

### SPECIFICATION

#### INPUT SPECIFICATION

**Input Voltage:** Range typ. 90-264Vac.  
Rating 100-240Vac.  
**Input Connector:** IEC320-3P DT7.  
**Input Frequency:** 47-63Hz.  
**Inrush Current:** Typ. 25A @ 230Vac.  
**Input Current:** Typ. 0.47A @ 115Vac, 0.21A @ 230Vac.  
**Dielectric Withstand:** Meet IEC 60950-1.  
**EMI:** Meet CISPR PUB. 22 & FCC Class B.  
**Hold-up Time:** Typ. 10.0mS @ 115Vac, 40.0mS@ 230Vac.  
**Earth Leakage:** Less than 0.7mA @ 230Vac.

#### OUTPUT SPECIFICATION

**Output Voltage:** See Ratings Chart.  
**Output Current:** See Ratings Chart.  
**Output Wattage:** Typ. 20 Watts.  
**Output Connector:** Molex 5273.  
**Line Regulation:** Typ. 0.1%.  
**Load Regulation:** Typ.  $\pm 1.0\%$ .  
**Noise & Ripple:** Typ. 1.0% peak to peak.  
**OVP:** Built-in at main VO1 only.  
**Adjustability:** Not adjustable.  
**Overload Protection (OLP):**  
Fully protected against output overload and short circuit.  
OLP set at about 125-150% rating output wattage.  
Consult the factory for OLP setting.

#### GENERAL SPECIFICATION

**Efficiency:** Typ. 70-75%  
**Switching Frequency:** 40K Hz.  
**Circuit Topology:** Fixed Frequency Flyback circuit.  
**Transient Response:** Output voltage returns in less than 3mS following a 25% load change.  
**Safety Standard:** IEC 60950-1/UL 60950-1 Class I.

**Operating Temperature:** 0 to +50 °C.  
**Storage Temperature:** -20 to +85 °C.  
**Temperature Coefficient:** Typ. 0.04%/ °C.  
**Cooling:** Free air convection.  
**Construction:** PCB open frame format.  
**Power Density:** 1.79Watts / Cubic Inch.

Note: Due to requests in market and advances in technology, specifications subject to change without notification.



For the details of safety approval, please consult the factory.

## OUTPUT VOLTAGE / CURRENT RATINGS CHART

### SINGLE OUTPUT

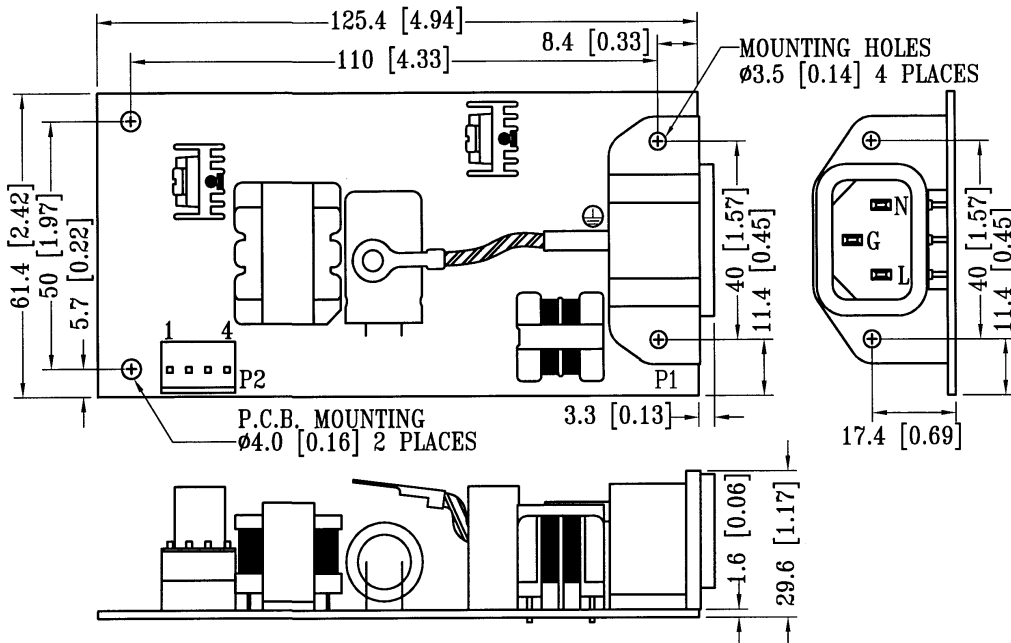
MODEL NO	MAIN VO1★		
	Typ.	Volt.	Peak
HVI20-10A	2.0A	5V	2.5A
HVI20-10B	3.0A	5V	3.5A
HVI20-10C	4.0A	5V	4.5A
HVI20-10D	5.0A	5V	5.5A

Symbol: "★" OVP built-in.

Remark: (1) At least 20% of typical main output current is required to maintain stated regulation.  
 (2) Peak output, less than 60 Sec. with 10% duty cycle.

### MECHANICAL DIMENSIONS: MM [INCHES]

**WEIGHT:** 132.5g (4.7 Oz.)



### INPUT & OUTPUT CONNECTORS PIN ASSIGNMENT

ASSIGNMENT CONNECTOR & PIN #	AC INPUT			SINGLE OUTPUT	
	AC-LINE	AC-NEUTRAL	AC-GROUND	VO1	DC COM
	P1-L	P1-N	P1-G	P2-1,2	P2-3,4

Mating connector: P2 Molex 5195 or 5239 series.